

# Engineering Specification

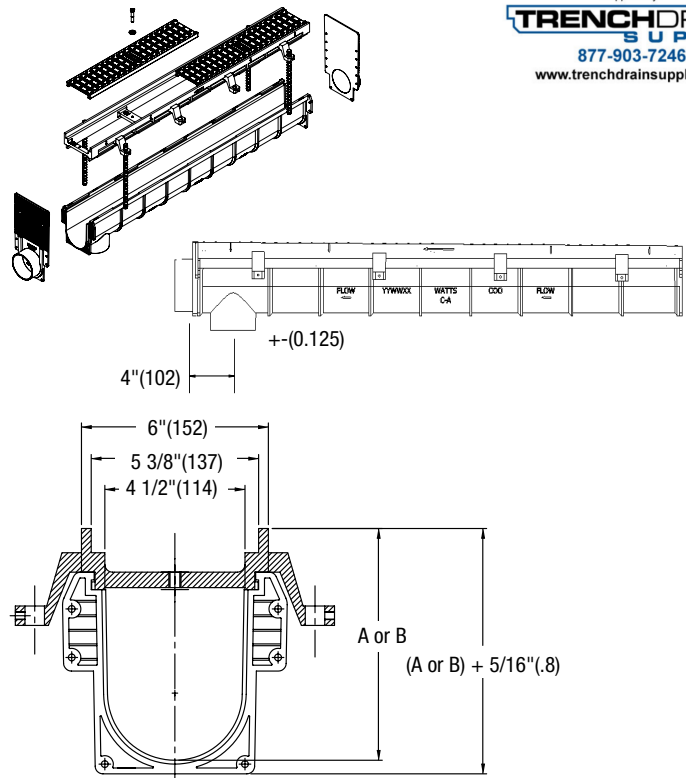
Job Name \_\_\_\_\_  
 Job Location \_\_\_\_\_  
 Engineer \_\_\_\_\_  
 Approval \_\_\_\_\_

Contractor \_\_\_\_\_  
 Approval \_\_\_\_\_  
 Contractor's P.O. No. \_\_\_\_\_  
 Representative \_\_\_\_\_

Supplied By:  
**TRENCH DRAIN SUPPLY**  
 877-903-7246  
 www.trenchdrainsupply.com

## Dead Level® D Pre-Sloped Polypropylene Trench Drain System with Ductile Iron Frame Specification

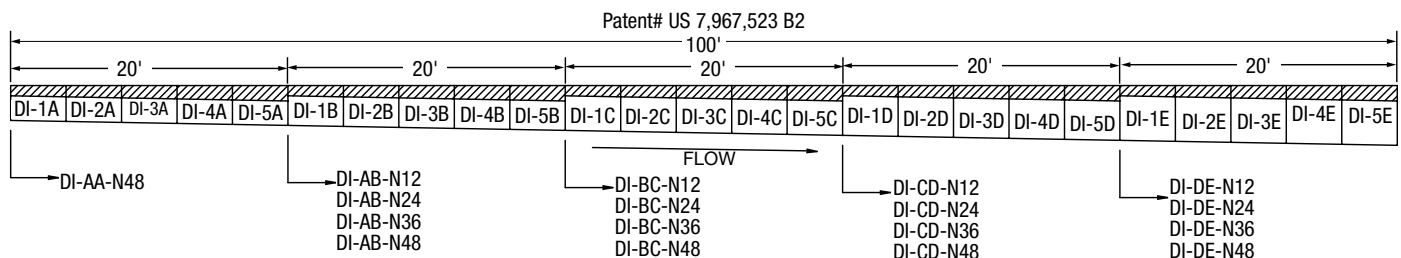
Watts Dead Level® D Pre-Sloped Trench Drain System with 6" wide x 48" long (standard) ductile iron frame, UV stabilized talc-filled polypropylene channels with integral 4" no hub bottom or end outlet(s). System shall be frame-anchored, with (specify) grating to suit DIN Class (specify) load rating. System to include frame connectors, grate lockdowns, and construction covers. Installation to be performed in accordance with manufacturer's installation instructions.



Call customer service at 1 (800) 338-2581 if you need assistance with technical details.

Grate Options		
Suffix	Description	
-BK	Stainless Steel Brickslot	<input type="checkbox"/>
-BR	Decorative Bronze	<input type="checkbox"/>
-DI	Ductile Iron	<input type="checkbox"/>
-DI-ADA	Ductile Iron ADA	<input type="checkbox"/>
-GDI	Galvanized Ductile Iron	<input type="checkbox"/>
-PP	Polypropylene	<input type="checkbox"/>
-GP	Galvanized Perforated	<input type="checkbox"/>
-GS	Galvanized Slotted	<input type="checkbox"/>
-RGP	Reinforced Galvanized Perforated	<input type="checkbox"/>
-RGS	Reinforced Galvanized Slotted	<input type="checkbox"/>
-SP	Stainless Steel Perforated	<input type="checkbox"/>
-SS	Stainless Steel Slotted	<input type="checkbox"/>
-RSP	Reinforced Stainless Steel Perforated	<input type="checkbox"/>
-RSS	Reinforced Stainless Steel Slotted	<input type="checkbox"/>
-SCI	Solid Cast Iron	<input type="checkbox"/>

Options		
Suffix	Description	
-B6	6" x 24" x 24" Catch Basin	<input type="checkbox"/>
-B6T	6" x 24" x 24" Catch Basin w/Trash Basket	<input type="checkbox"/>
-B24	24" x 24" x 24" Catch Basin (DI Grate Only)	<input type="checkbox"/>
-B24T	24" x 24" x 24" Catch Basin w/Trash Basket (DI Grate Only)	<input type="checkbox"/>
-FB	Bronze Frame Guard	<input type="checkbox"/>
-FG	Galvanized Steel Frame Guard	<input type="checkbox"/>
-FS	Stainless Steel Frame Guard	<input type="checkbox"/>
-OS	Outlet Strainer	<input type="checkbox"/>
-VP	Vandal Proof Grate Lockdowns	<input type="checkbox"/>



Watts product specifications in U.S. customary units and metric are approximate and are provided for reference only. For precise measurements, please contact Watts Technical Service. Watts reserves the right to change or modify product design, construction, specifications, or materials without prior notice and without incurring any obligation to make such changes and modifications on Watts products previously or subsequently sold.



## Dead Level® D Dimensional Data

Part #	Configuration	Length	Weight (lbs.)	Dim. A	Dim. B
DI-AA-N48	Neutral	48"(1219)	31	5 5/8"(143)	5 5/8"(143)
DI-1A	Sloped	48"(1219)	31	5 5/8"(143)	5 15/16"(151)
DI-2A	Sloped	48"(1219)	38	5 15/16"(151)	6 1/4"(159)
DI-3A	Sloped	48"(1219)	40	6 1/4"(159)	6 9/16"(167)
DI-4A	Sloped	48"(1219)	43	6 9/16"(167)	6 7/8"(175)
DI-5A	Sloped	48"(1219)	45	6 7/8"(175)	7 3/16"(183)
DI-AB-N12	Neutral	12"(305)	9	7 3/16"(183)	7 3/16"(183)
DI-AB-N24	Neutral	24"(610)	18	7 3/16"(183)	7 3/16"(183)
DI-AB-N36	Neutral	36"(914)	26	7 3/16"(183)	7 3/16"(183)
DI-AB-N48	Neutral	48"(1219)	32	7 3/16"(183)	7 3/16"(183)
DI-1B	Sloped	48"(1219)	32	7 3/16"(183)	7 1/2"(191)
DI-2B	Sloped	48"(1219)	39	7 1/2"(191)	7 13/16"(198)
DI-3B	Sloped	48"(1219)	41	7 13/16"(198)	8 1/8"(206)
DI-4B	Sloped	48"(1219)	44	8 1/8"(206)	8 7/16"(214)
DI-5B	Sloped	48"(1219)	46	8 7/16"(214)	8 3/4"(222)
DI-BC-N12	Neutral	12"(305)	9	8 3/4"(222)	8 3/4"(222)
DI-BC-N24	Neutral	24"(610)	18	8 3/4"(222)	8 3/4"(222)
DI-BC-N36	Neutral	36"(914)	26	8 3/4"(222)	8 3/4"(222)
DI-BC-N48	Neutral	48"(1219)	32	8 3/4"(222)	8 3/4"(222)
DI-1C	Sloped	48"(1219)	33	8 3/4"(222)	9 1/16"(230)
DI-2C	Sloped	48"(1219)	40	9 1/16"(230)	9 3/8"(238)
DI-3C	Sloped	48"(1219)	42	9 3/8"(238)	9 11/16"(246)
DI-4C	Sloped	48"(1219)	45	9 11/16"(246)	10"(254)
DI-5C	Sloped	48"(1219)	47	10"(254)	10 5/16"(262)
DI-CD-N12	Neutral	12"(305)	9	10 5/16"(262)	10 5/16"(262)
DI-CD-N24	Neutral	24"(610)	18	10 5/16"(262)	10 5/16"(262)
DI-CD-N36	Neutral	36"(914)	26	10 5/16"(262)	10 5/16"(262)
DI-CD-N48	Neutral	48"(1219)	32	10 5/16"(262)	10 5/16"(262)
DI-1D	Sloped	48"(1219)	34	10 5/16"(262)	10 5/8"(270)
DI-2D	Sloped	48"(1219)	41	10 5/8"(270)	10 15/16"(278)
DI-3D	Sloped	48"(1219)	43	10 15/16"(278)	11 1/4"(286)
DI-4D	Sloped	48"(1219)	46	11 1/4"(286)	11 9/16"(294)
DI-5D	Sloped	48"(1219)	48	11 9/16"(294)	11 7/8"(302)
DI-DE-N12	Neutral	12"(305)	10	11 7/8"(302)	11 7/8"(302)
DI-DE-N24	Neutral	24"(610)	19	11 7/8"(302)	11 7/8"(302)
DI-DE-N36	Neutral	36"(914)	27	11 7/8"(302)	11 7/8"(302)
DI-DE-N48	Neutral	48"(1219)	33	11 7/8"(302)	11 7/8"(302)
D1-1E	Sloped	48"(1219)	35	11 7/8"(302)	12 3/16"(310)
D1-2E	Sloped	48"(1219)	42	12 3/16"(310)	12 1/2"(318)
DI-3E	Sloped	48"(1219)	44	12 1/2"(318)	12 13/16"(325)
DI-4E	Sloped	48"(1219)	47	12 13/16"(325)	13 1/8"(333)
DI-5E	Sloped	48"(1219)	49	13 1/8"(333)	13 7/16"(341)

### NOTICE

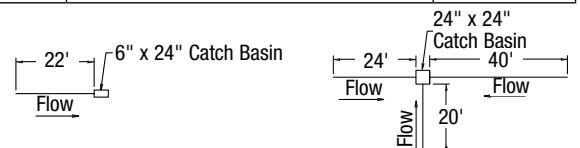
The information contained herein is not intended to replace the full product installation and safety information available or the experience of a trained product installer. You are required to thoroughly read all installation instructions and product safety information before beginning the installation of this product.



Supplied By:  
**TRENCHDRAIN SUPPLY**  
 877-903-7246  
 www.trenchdrainsupply.com

## How to Configure & Order Dead Level® Trench System

1.	Sketch General Layout For each separate trench configuration show length(s), position of outlet(s), direction of flow(s), and position of catch basins (if required)	
2.	Specify Frame Ductile Iron Polypropylene	Ordering Code: D or-DX P
3.	Specify Length in Feet (Do not include Catch Basins)	Numeric
4.	Specify Outlet Straight Run End Outlet Straight Run Center Outlet Other Configuration	EO CO XO
5.	Specify Grating Stainless Steel Brickslot Decorative Bronze* Ductile Iron ADA Ductile Iron Galvanized Ductile Iron Galvanized Steel Slotted Galvanized Steel Perforated Stainless Steel Slotted Stainless Steel Perforated Reinforced Galvanized Steel Slotted Reinforced Galvanized Steel Perforated Reinforced Stainless Steel Slotted Reinforced Stainless Steel Perforated Polypropylene	BK BR DI DI-ADA GDI GS GP SS SP RGS RGP RSS RSP PP
6.	Specify Catch Basin (if Required) 6" x 6" x 24" Catch Basin 24 x 24" x 24" Catch Basin	B6 B24
7.	Specify Frame Guards (If Required) Galvanized Steel Stainless Steel	FG FS
8a.	Configure Straight Run (EO or CO) Ex: P22-EO-RSS-B6-FS P = Polypropylene 22 = Trench Length in Feet EO = End Outlet RSS = Reinforced Stainless Steel Slotted B6 = 6" x 24" x 24" Catch Basin FS = Stainless Steel Frame Guard	
8b.	Configure Special Run (XO) Ex: D84-XO-DI-B24 D = Ductile Iron Frame 84 = Trench Length in Feet XO = Other Configuration (Provide Sketch or Describe) DI = Ductile Iron B24 = 24" x 24" x 24" Catch Basin	



## For Commercial Applications

Job Name \_\_\_\_\_

Contractor \_\_\_\_\_

Job Location \_\_\_\_\_

Approval \_\_\_\_\_

Engineer \_\_\_\_\_

Contractor's P.O. No. \_\_\_\_\_

Approval \_\_\_\_\_

Representative \_\_\_\_\_

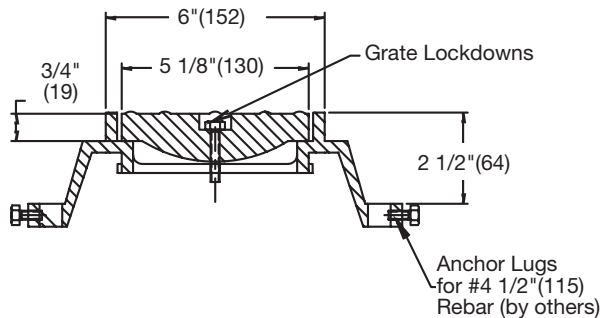
Tag \_\_\_\_\_

# Dead Level® DL-GF

## 6" Wide Ductile Iron Trench Frame & Grating

### Specification

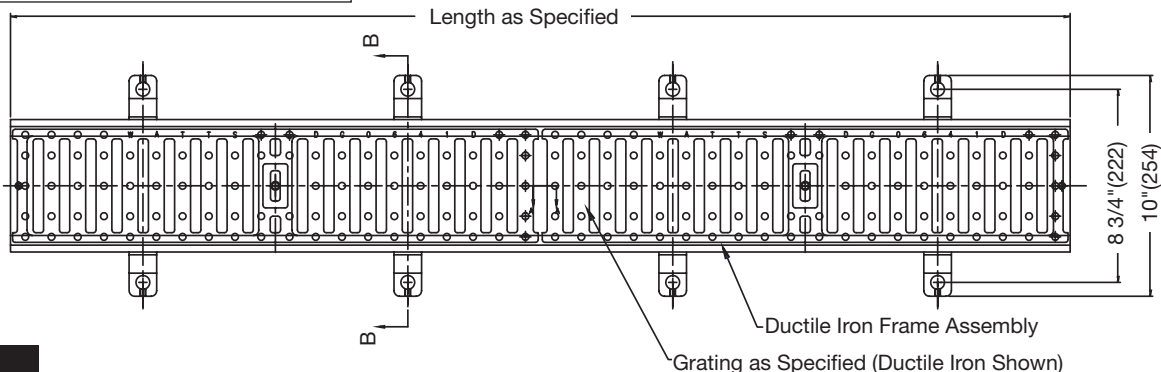
Watts Dead Level® DL-GF 6"(152) wide x 48"(1219) long (standard) ductile iron frame (specify), and grating to suit DIN Class (specify) load rating. System to include frame connectors, grate lockdowns, and construction covers. Installation to be performed in accordance with manufacturer's installation instructions.



Grate Options		
Suffix	Description	
-BR	Decorative Bronze	Class B <input type="checkbox"/>
-DI	Ductile Iron	Class F <input type="checkbox"/>
-DI-ADA	Ductile Iron ADA	Class F <input type="checkbox"/>
-GDI	Galvanized Ductile Iron	Class F <input type="checkbox"/>
-GP	Galvanized Perforated	Class A <input type="checkbox"/>
-GS	Galvanized Slotted	Class A <input type="checkbox"/>
-RGP	Reinforced Galvanized Perforated	Class E <input type="checkbox"/>
-RGS	Reinforced Galvanized Slotted	Class E <input type="checkbox"/>
-SP	Stainless Steel Perforated	Class A <input type="checkbox"/>
-SS	Stainless Steel Slotted	Class A <input type="checkbox"/>
-RSP	Reinforced Stainless Steel Perforated	Class E <input type="checkbox"/>
-RSS	Reinforced Stainless Steel Slotted	Class E <input type="checkbox"/>
-SCI	Solid Cast Iron	Class F <input type="checkbox"/>

Options		
Suffix	Description	
-FG	Galvanized Steel Frame Guard	<input type="checkbox"/>
-FS	Stainless Steel Frame Guard	<input type="checkbox"/>

**Please refer to watts.com for BAA information on specific models.**



**NOTICE**

The information contained herein is not intended to replace the full product installation and safety information available or the experience of a trained product installer. You are required to thoroughly read all installation instructions and product safety information before beginning the installation of this product.

Watts product specifications in U.S. customary units and metric are approximate and are provided for reference only. For precise measurements, please contact Watts Technical Service. Watts reserves the right to change or modify product design, construction, specifications, or materials without prior notice and without incurring any obligation to make such changes and modifications on Watts products previously or subsequently sold.

Supplied By:  
**TRENCH DRAIN SUPPLY**  
 877-903-7246  
 www.trenchdrainsupply.com



**USA:** T: (800) 338-2581 • F: (828) 248-3929 • Watts.com  
**Canada:** T: (888) 208-8927 • F: (888) 479-2887 • Watts.ca  
**Latin America:** T: (52) 55-4122-0138 • Watts.com